



# MotionLatch™ Aluminum Drawer Units



**Service Vehicles • Mobile Command Centers • Offices  
Mobile Tool Carts • Racing Trailers • Work Shops • Tool Rooms**

# MotionLatch™ Aluminum Drawer Features



ONLY FROM C-TECH  
**MotionLatch™**  
Drawer & Door System  
US Patent 6,547,289

## Innovation: Sometimes the easiest solutions are the best.

*Imagine a drawer  
that automatically...*

- ✓ Latches when you shut it
- ✓ Easily opens with just **One Finger!** *Even wearing gloves and carrying tools*
- ✓ Won't open during transport
- ✓ Requires no searching for a latch button

**CTECH Drawers**  
*deliver all of the above!*

## Great Style

The aesthetics of **CTECH** designs are as good as their performance. The clean, contemporary styling defines the entire line of **CTECH** cabinets. Enhance your shop, trailer, vehicle or mobile equipment by configuring the drawers to fit your plan.

## Peace of Mind

No more worrying about drawers accidentally opening during transport. **CTECH's** unique patented dual-latching system locks every time it's closed and is easier to open than traditional units.

Eliminate hunting and fumbling for a "button" to unlock the drawer or door. **MotionLatch™** makes it easy and quick.

## Flexibility

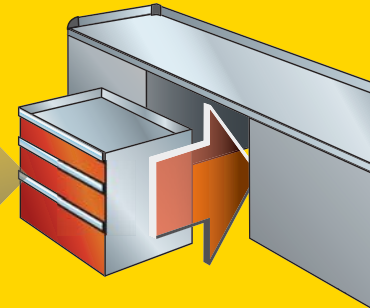
**MotionLatch™** drawers designed to fit most existing **CTECH** cabinets. Modular design allows you to slide new drawer inserts into the existing opening in your cabinet or **CTECH** Pit Cart.

As your needs change, your cabinets can keep pace!



## Drawer Inserts

- Designed to be used within, and supported by, existing structures
- Utilizes your entire opening
- Can be retrofitted into a wide range of applications
- The weight of the insert is supported by either using legs provided by CTECH or by securing the insert to a structure such as a cabinet or in a pit cart



## Drawer Housings

- Designed to be stand alone units
- Provides a more finished look
- Minimum installation time required
- Can be used separately or combined with other cabinets, office or storage related fixtures
- Extremely useful for outfitting new trailers, truck bodies, shops or retrofitting existing work areas

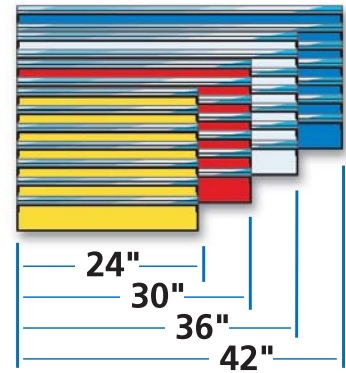


# Inserts

## Standard Drawer Insert Units

Standard CTECH Drawer Insert Units fit overall opening widths of 24", 30", 36", and 42". Standard drawer depths of 18" and 24".

Standard drawer combinations are listed below. Units are also available in custom widths and custom drawer height combinations. Ask for details.



Insert Unit Heights

24"

34"

44"

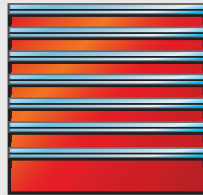
54"

STYLE 1-I

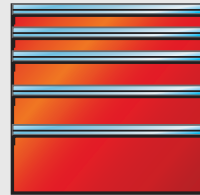
STYLE 2-I

STYLE 3-I

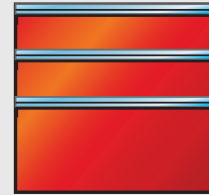
Six 3"  
One 5"



Two 3"  
One 4"  
One 5"  
One 8"



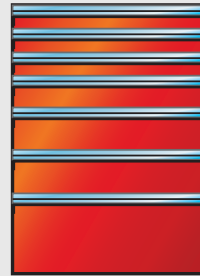
Two 6"  
One 11"



Eleven 3"



Three 3"  
One 4"  
Two 6"  
One 8"



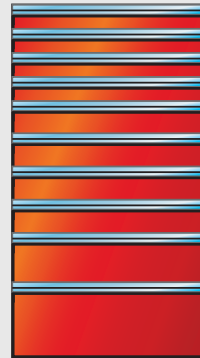
Two 6"  
One 10"  
One 11"



Thirteen 3"  
One 4"



Four 3"  
Three 4"  
One 5"  
One 6"  
One 8"



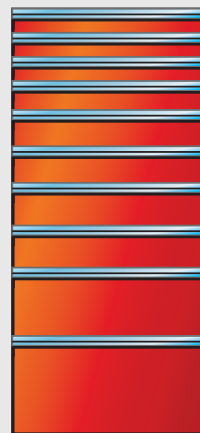
Three 6"  
One 9"  
One 10"



Eight 3"  
Six 4"  
One 5"



Three 3"  
One 4"  
Two 5"  
Two 6"  
One 8"  
One 10"



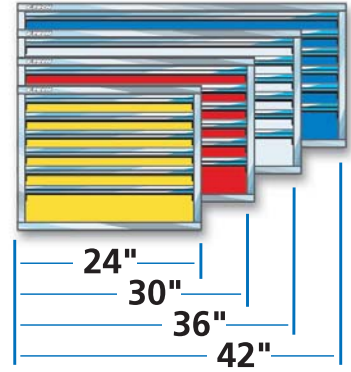
Four 6"  
One 9"  
Two 10"



Custom Unit heights & depths available

# Housings

## Standard Drawer Housing Units



Standard CTECH Drawer Housing Units fit overall opening widths of 24", 30", 36", and 42". Standard drawer depths of 18" and 24".

Standard drawer combinations are listed below. Units are also available in custom widths and custom drawer height combinations. Ask for details.

Housing Unit Heights

	STYLE 1-H	STYLE 2-H	STYLE 3-H
24"	<p>Five 3" One 5"</p>	<p>One 3" One 4" One 5" One 8"</p>	<p>Two 6" One 8"</p>
34"	<p>Ten 3"</p>	<p>Two 3" One 4" Two 6" One 8"</p>	<p>Two 6" One 8" One 10"</p>
44"	<p>Twelve 3" One 4"</p>	<p>Three 3" Three 4" One 5" One 6" One 8"</p>	<p>Four 6" Two 8"</p>
54"	<p>Seven 3" Six 4" One 5"</p>	<p>Two 3" One 4" Two 5" Two 6" One 8" One 10"</p>	<p>Four 6" Two 8" One 10"</p>

Custom Unit heights & depths available

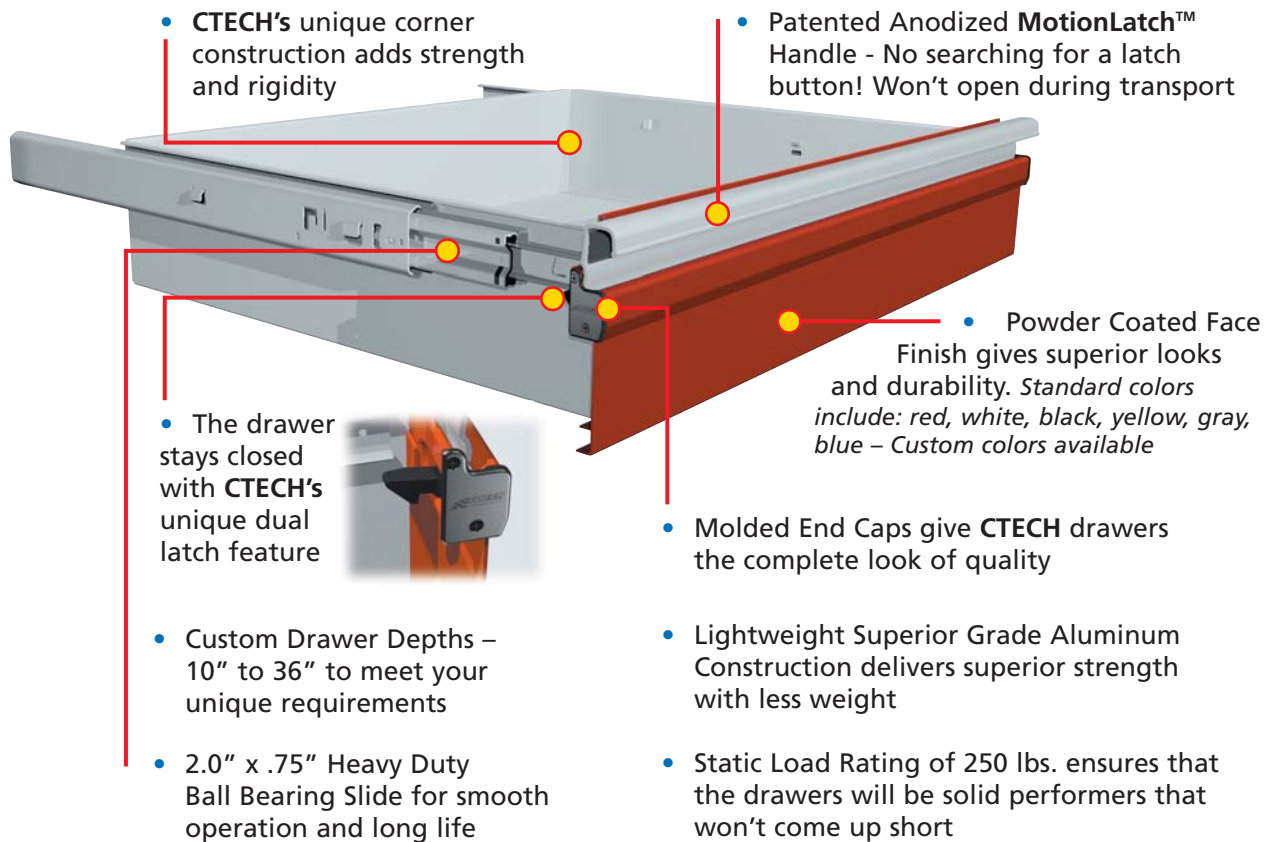
## Drawers The Width You Need!

← Choose Any Width Up To 48" Wide →



CTECH's unique fabrication process allows you the flexibility to create the drawer that meets your requirements with no additional custom engineering cost.

## All Aluminum Construction



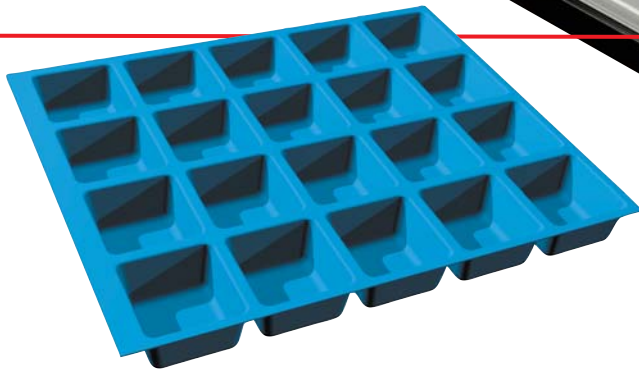
## Increase Drawer Functionality

- **Standard CTECH Aluminum Drawer Dividers**

Drawer dividers are available in any quantity. Ask your **CTECH** representative for details.

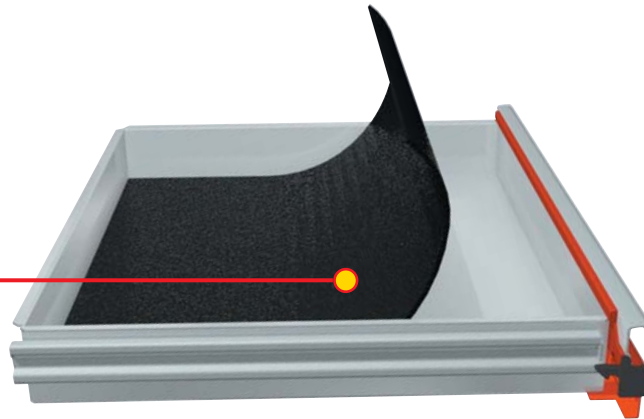
- **Molded Parts Inserts**

Custom fit to make your **CTECH** drawers easy to use and more convenient.



- **Soft Padded Non-skid Drawer Liners**

Protect parts through reduced slippage and reduces noise with improved looks.



**\*Note:** Liners and dividers may be combined for a quiet and protective ride.

