

MOBILE SHOCK & SPRING CABINET

Aluminum Cabinets and Carts For Shop, Trailer & Track



• TRIM LINE - A CTECH Exclusive •



Mobile Shock & Spring Storage

These mobile trailer cabinets are designed to maintain the center aisle width in common trailers designs (36" - 42" depending on model).

The Trim Line can be moved from trailer to pit to shop when used on a firm, level surface. A specially designed CTECH lock down system keeps the cabinets in place while in transport in the trailer.

Mobile Shock & Spring Cabinet Features:

- 67" Length x 30" Wide x 73" Tall
- 5 MotionLatch™ Storage Drawers for Shocks, Torsion Bars, Axles & Gear Sets
- Under Chassis Storage
- All Aluminum Construction
- Burris Kart Wheels
- Two Stabilizers
- Pull handle



Mobile Shock & Spring Storage Cabinet shown with MotionLatch™ doors closed.

Easy In, Easy Out, and Cost Effective...

Shop...Trailer...Pit Carts...They're mobile when and where you need them.

ADVISORY: Mobile cabinets should only be moved on firm level surfaces.



Tool Cabinet

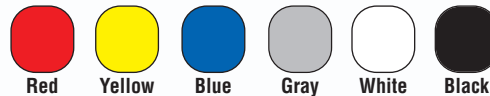


Tire Cabinet



Work/Storage Cabinet

Standard Colors Custom Colors Available Upon Request



Red

Yellow

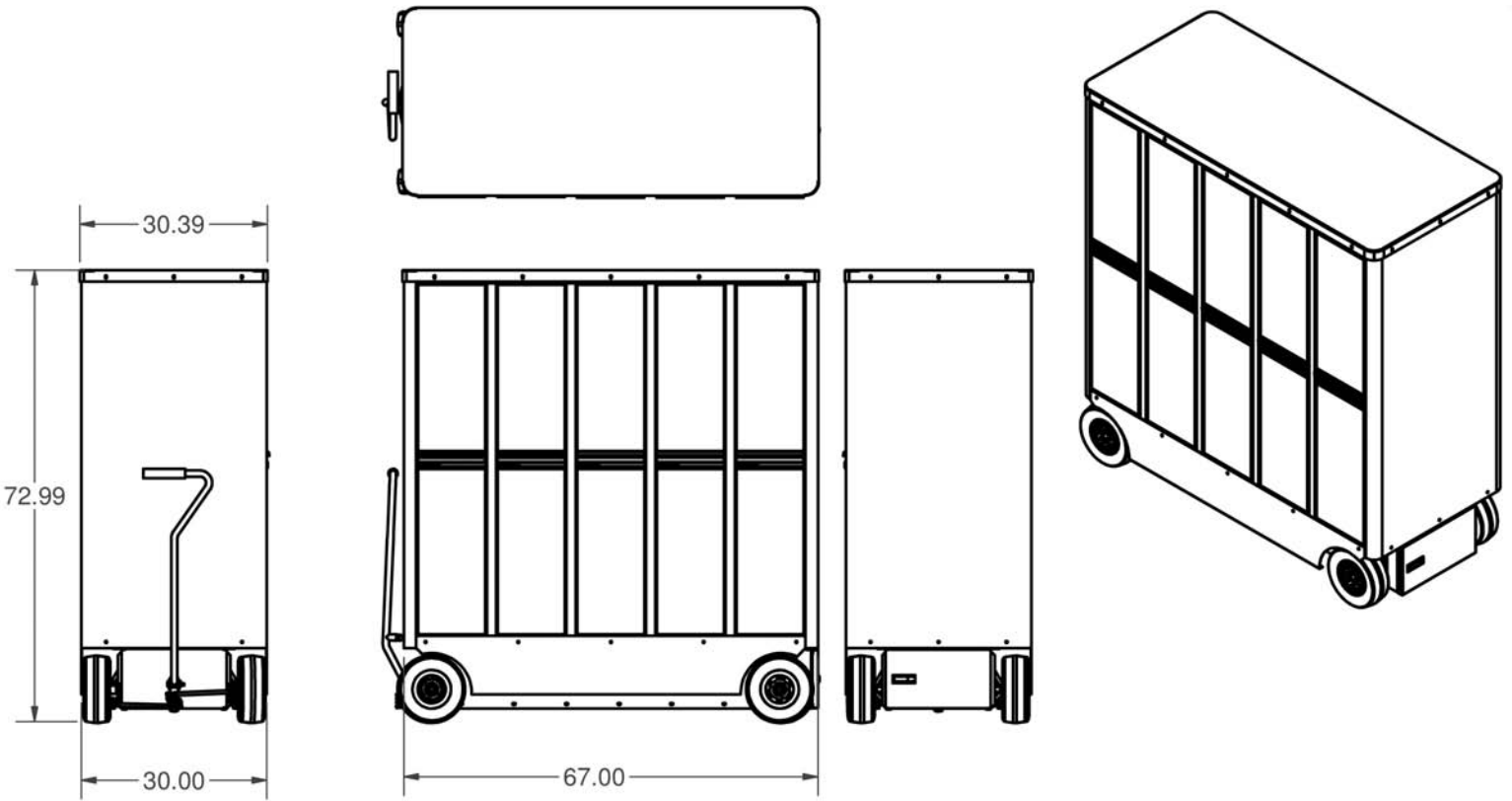
Blue

Gray

White

Black





Proprietary Notice

This drawing and the text, design, and concepts herein are the property of CTECH Trailer Cabinets, a division of Greenheck Racing. Any reproduction, distribution, or forwarding of this document to persons or organizations for any reason without written permission from CTECH is prohibited.