

MOBILE TIRE CABINET

Aluminum Cabinets and Carts For Shop, Trailer & Track



TRIM LINE - A CTECH Exclusive

All Aluminum Trim Line Mobile Cabinets For Midget and Legends Racing



Tire Cabinet

These mobile trailer cabinets are designed to maintain the center aisle width in common trailers designs (36"- 42" depending on model).

The Trim Line can be moved from trailer to pit to shop when used on a firm, level surface. A specially designed CTECH lock down system keeps the cabinets in place while in transport in the trailer.

Mobile Tire Cabinet Features:

- 67" Length x 30.5" Wide x 73" Tall
- 2 Tire Storage Bays for Midget and Legend size Wheel & Tire Combo's
- Roll-up Vinyl Closure For A Clean Look
- Full Radius Corners
- Burris Kart Wheel
- Pull handle



Mobile Tire Cabinet shown with Vinyl Closure in closed position.

Easy In, Easy Out, and Cost Effective...

Shop...Trailer...Pit Carts...They're mobile when and where you need them.

ADVISORY: Mobile cabinets should only be moved on firm level surfaces.



Tool Cabinet

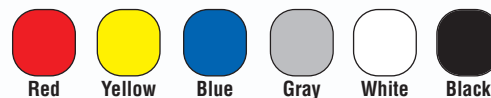


Work Cabinet



Shock & Spring Storage

Standard Colors Custom Colors Available Upon Request



Red

Yellow

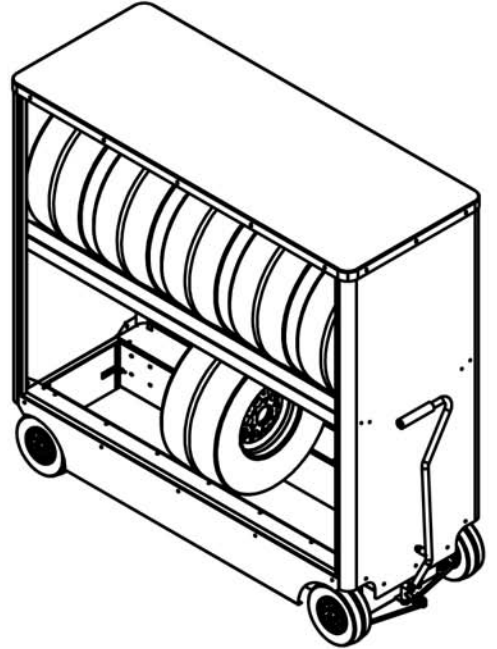
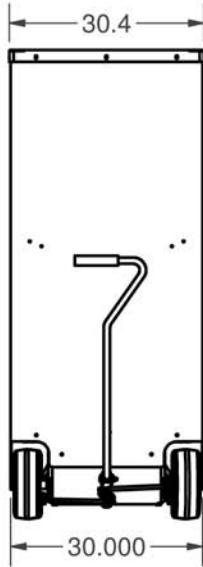
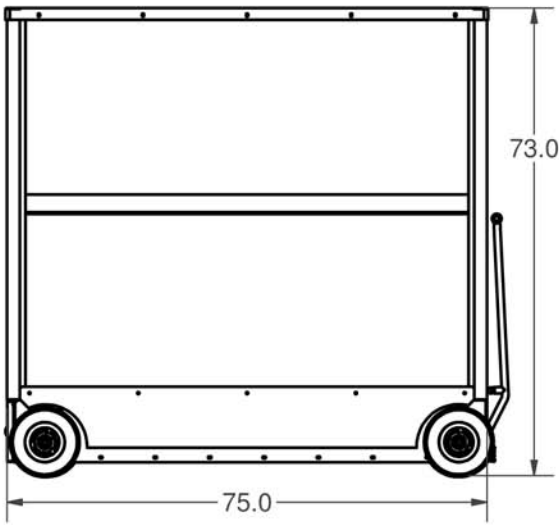
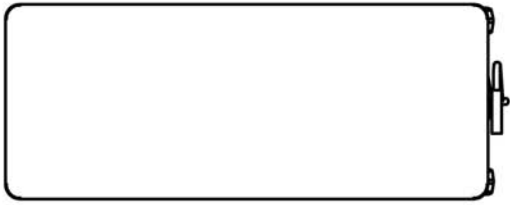
Blue

Gray

White

Black





Proprietary Notice

This drawing and the text, design, and concepts herein are the property of CTECH Trailer Cabinets, a division of Greenheck Racing. Any reproduction, distribution, or forwarding of this document to persons or organizations for any reason without written permission from CTECH is prohibited.