

WORKTOP PIT CART

Aluminum Cabinets and Carts For Shop, Trailer & Track



\$4995



Features:

- Seven Motionlatch™ Drawers
- Tough Powder Coat Finish
- Trigger Latch Doors With .040" Door Backs
- .080" Thick 5052 Aluminum Construction
- Reinforced 1/8" Brushed Aluminum Worktop Surface
- Standard 42" High Worktop Surface
- Heavy Duty Chassis Design
- 8" Aluminum Wheels and Pneumatic Tires
- Radius Corners
- Steering Linkage With Built In Negative Caster
- Lock Down Adjustable Shelves
- Built In "D" Rings

Benefits:

- Will Not Rust
- Lightweight
- Durable Worktop Surface
- One Hand, One Motion Drawer Handles
- Easily Steered On Various Surfaces
- Other Sizes and cabinet/drawer combinations available

Options:

- Air And/Or Electric Reel
- Nitrogen Cradle
- Brakes
- Ship To Shore Power
- Vise
- Stainless Steel Worktop Overlay



Carts shown with optional Nitrogen Cradle, Ship To Shore Power, Electric Reel, and Hydraulic Disc Brakes.

Standard Colors (Custom Colors Available Upon Request)



White



Yellow



Blue



Red



Orange



Mid. Blue



Black

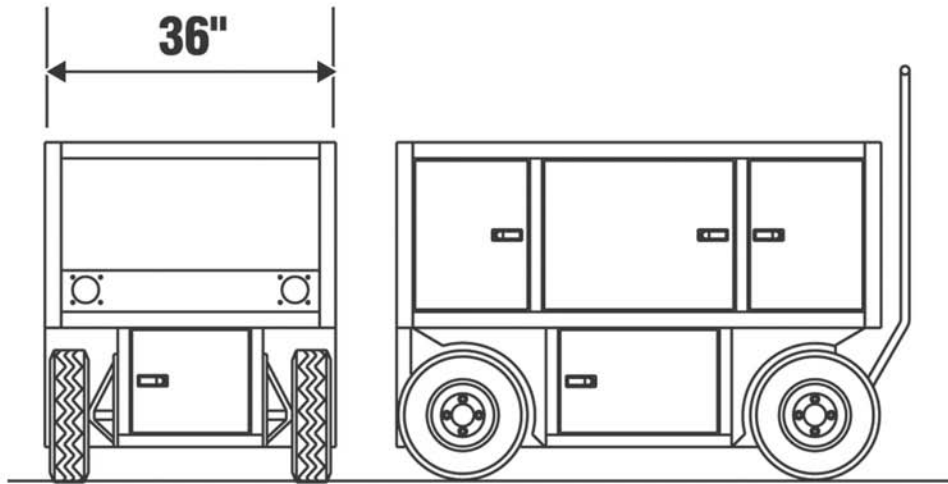
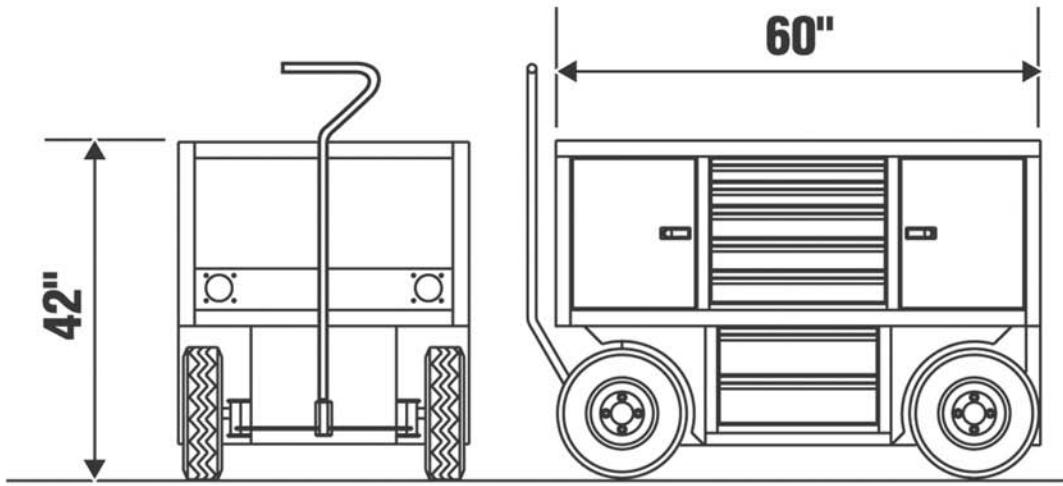


Gray



Green





Proprietary Notice

This drawing and the text, design, and concepts herein are the property of CTECH Trailer Cabinets, a division of Greenheck Racing. Any reproduction, distribution, or forwarding of this document to persons or organizations for any reason without written permission from CTECH is prohibited.